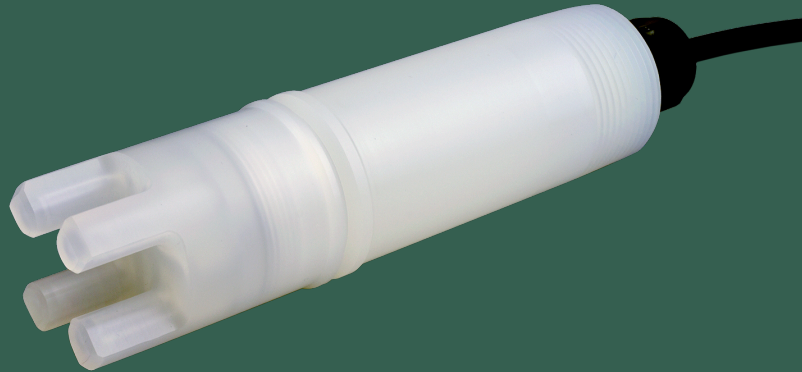


S20-SWW

Suspended Solids / Turbidity Sensor

Get better control and monitoring of your Stormwater run-off. Bringing sophisticated process control suspended solids sensors to Stormwater and Waste

- Four beam self compensating sensor, virtually eliminates drift due to contamination or electronic ageing.
- Immersion style.
- Simple user interface.
- Accurate, repeatable & reliable.
- Low power suitable for remote installations
- Connects directly with 4-20mA and Modbus RS485, or SDI-12



S20-SWW Measurement Range, 0 to 10g/L normal activated sludge

S20-SWW immersion

Immersion style sensors are designed for continuous on-line monitoring of suspended solids in Stormwater monitoring and Waste Water installations.

Sensor calibration

Simple 2 point calibration using simple PC USB interface.

Applications include;

- Stormwater sediment runoff monitoring
- Flocculant dosing and control
- Wastewater monitoring and control

Specifications

Measuring Range	Immersion Sensor: 0 to 10 g/L in normal activated sludge (the measuring range will vary according to media and particle characteristics)
Accuracy	+/- 2% of reading
Repeatability	+/- 1% of reading
Temperature	0 to 50°C operating range
Pressure	5 Bar
Cable	Polyurethane covered cable rated to 95°C. Extension cables can be supplied to extend the cable up to 100m.
Outputs	Modbus RS485, 4-20mA and 1 x solid state relay or SDI-12 only
Power Requirement	Modbus only - 0.25W at 3.7V 4-20mA and Modbus - 9 to 32V DC SDI-12 - 0.1W (working), 0.002W (asleep) at 3.7 to 32V DC

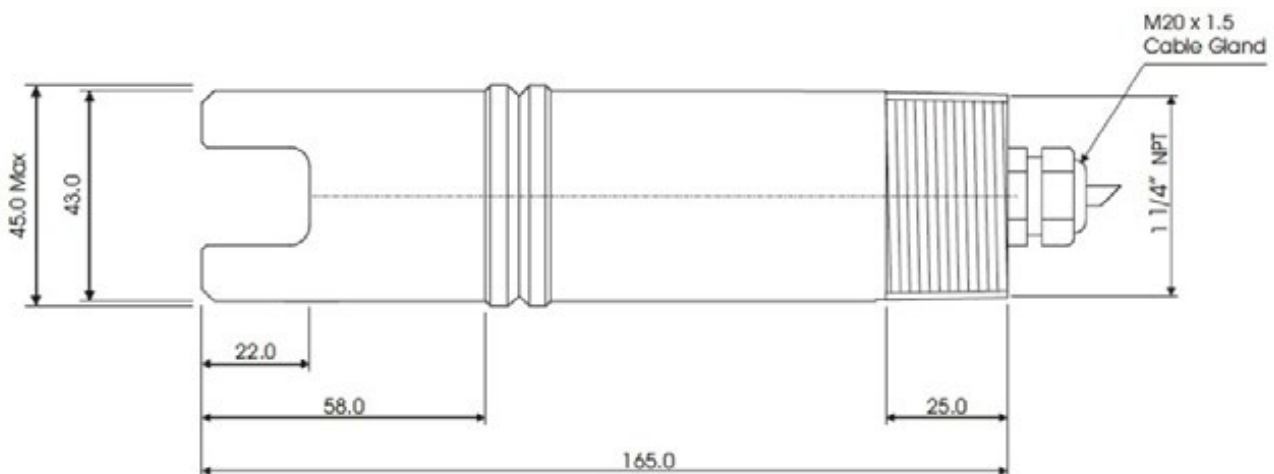
Model Number Selection Guide

Body Style	S20-SWW - Immersion Body
Wave Length	880nm - Standard.
Body Material	PP - Polypropylene
Cable	10 - Supplied with a 10m cable as standard. Other lengths available
Output	MB - Modbus RS485, or SD - SDI-12

Sample model no; S20-SWW-880-PP-10-MB

Optional Extras Jet attachment - Requires water or airflow. Air to 5 Bar

Calibration Shipped with PC based App and USB Dongle
for simple 2 point calibration



Partner Distributore per l'Italia
BIO MASS IMPIANTI S.r.l.

Tel. +39 02.4453223 Fax. +39 02.48402025
Via M. Pagano, 28 - 20090 Trezzano s/N (MI)
Email: Info@BioMassImpianti.com
Internet: www.BioMassImpianti.com