

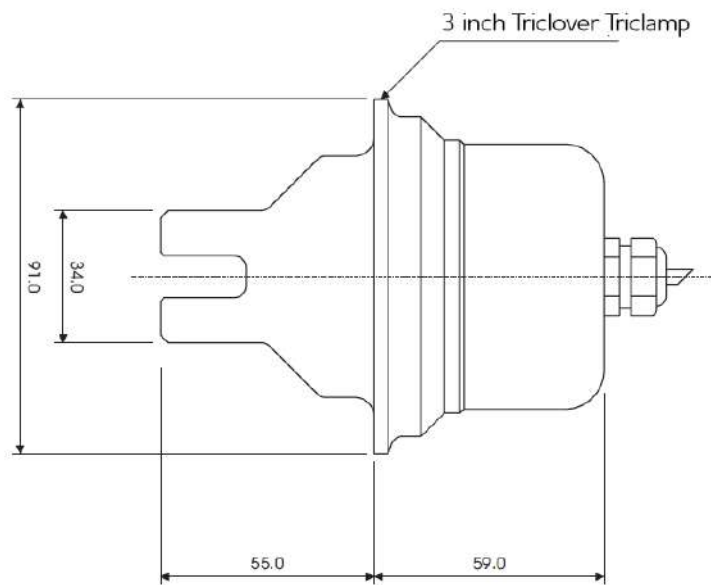
# S10-3HY Inline Hygienic Style 3A Certified

## Example application

Measures 0-40% milk fat. 3" Triclover fitting.  
Install directly into food product lines.



## Dimensions



## Key features



### SELF-COMPENSATING

Multi-beam sensor, virtually eliminates drift due to contamination or electronic ageing.



### ONE-PIECE BODY

No lenses to leak, glass-free design.



### SIMPLE TO USE

Simple user interface



### RELIABLE

Accurate, repeatable & reliable.

## Example applications

**Hygienic style sensors are designed for installation directly into food product lines where CIP cleaning is used.**

Monitoring high solids concentrations, for example fruit pulp monitoring, milk fat concentration, product to water interface, solids concentration control.

### Milk fat

0 to 40%

(the measuring range will vary according to media and particle characteristics)

## Further specifications

### ACCURACY

+/- 2% of reading

### REPEATABILITY

+/- 1% of reading

### TEMPERATURE

0 to 85°C operating range

### PRESSURE

10 Bar

### CABLE

Polyurethane-covered cable rated to 95°C. Extension cables can be supplied to extend the cable up to 50m.

### TRANSMITTER

Quadbeam MXD75 or MXD73

## Model no. selection guide

### BASIC MODEL NO.:

**S10** - Measuring range 0 - 40% milk fat\*.

\*the measuring range will vary according to media and particle characteristics

### BODY STYLE

**3HY** - Hygienic Style body with 3" Triclover fitting

### WAVE LENGTH

**880** - 880nm Standard. Other wave lengths available

### BODY MATERIAL

**PP** - Polypropylene

### CABLE

**10** - Both immersion and hygienic sensors are supplied with a 10m cable as standard. Other lengths available

### CONNECTOR

**NC** - No Connector. Cores stripped and crimped for direct connection with the MXD Transmitters

**CA** - Amphenol Connector. For use with Hygienic sensors using extension cables.

**Sample model no: S10-3HY-880-PP-10-NC**

## Partner Distributore per l'Italia **BIO MASS IMPIANTI S.r.l.**

Tel. +39 02.4453223 Fax. +39 02.48402025  
Via M. Pagano, 28 - 20090 Trezzano s/N (MI)  
Email: [Info@BioMassImpianti.com](mailto:Info@BioMassImpianti.com)  
Internet: [www.BioMassImpianti.com](http://www.BioMassImpianti.com)

## Quadbeam Technologies Ltd – Contact us

Email – [info@quadbeam.com](mailto:info@quadbeam.com)

Call US – (303) 923 5273

Call international – +64 9 238 4609

Call NZ – 09 238 4609

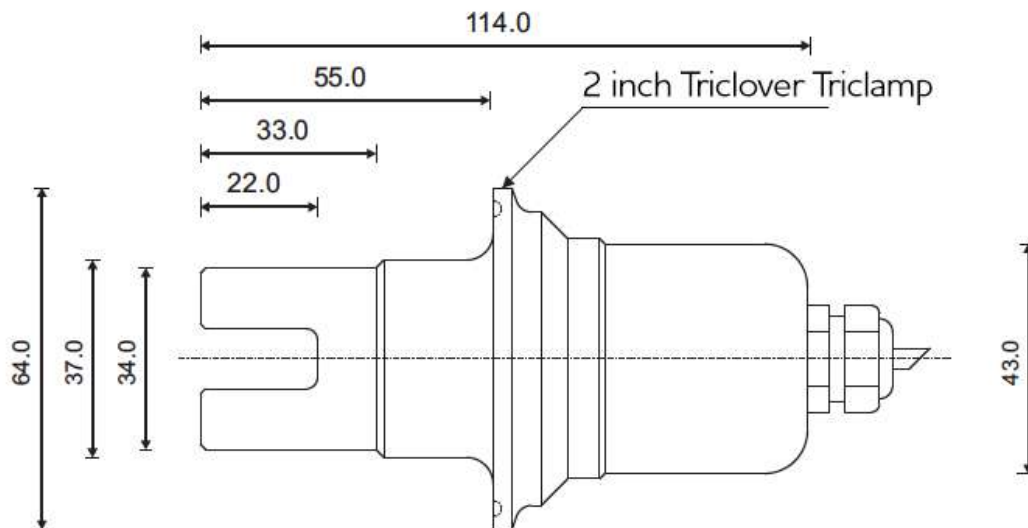
# S10-2HY Inline Hygienic Style 3A Certified

## Example application

Measures 0-40% milk fat. 2" Triclover fitting. Install directly into food product lines.



## Dimensions



## Key features



### SELF-COMPENSATING

Multi-beam sensor, virtually eliminates drift due to contamination or electronic ageing.



### ONE-PIECE BODY

No lenses to leak, glass-free design.



### SIMPLE TO USE

Simple user interface



### RELIABLE

Accurate, repeatable & reliable.

## Example applications

**Hygienic style sensors are designed for installation directly into food product lines where CIP cleaning is used.**

Monitoring high solids concentrations, for example fruit pulp monitoring, milk fat concentration, product to water interface, solids concentration control.

### Milk fat



(the measuring range will vary according to media and particle characteristics)

## Further specifications

### ACCURACY

+/- 2% of reading

### REPEATABILITY

+/- 1% of reading

### TEMPERATURE

0 to 85°C operating range

### PRESSURE

10 Bar

### CABLE

Polyurethane-covered cable rated to 95°C. Extension cables can be supplied to extend the cable up to 50m.

### TRANSMITTER

Quadbeam MXD75 or MXD73

## Model no. selection guide

### BASIC MODEL NO.:

**S10** - Measuring range 0 - 40% milk fat\*.

\*the measuring range will vary according to media and particle characteristics

### BODY STYLE

**2HY** - Hygienic Style body with 2" Triclover fitting

### WAVE LENGTH

**880** - 880nm Standard. Other wave lengths available

### BODY MATERIAL

**PP** - Polypropylene

### CABLE

**10** - Both immersion and hygienic sensors are supplied with a 10m cable as standard. Other lengths available

### CONNECTOR

**NC** - No Connector. Cores stripped and crimped for direct connection with the MXD Transmitters

**CA** - Amphenol Connector. For use with Hygienic sensors using extension cables.

Sample model no: **S10-2HY-880-PP-10-NC**

## Partner Distributore per l'Italia **BIO MASS IMPIANTI S.r.l.**

Tel. +39 02.4453223 Fax. +39 02.48402025  
Via M. Pagano, 28 - 20090 Trezzano s/N (MI)  
Email: [Info@BioMassImpianti.com](mailto:Info@BioMassImpianti.com)  
Internet: [www.BioMassImpianti.com](http://www.BioMassImpianti.com)

## Quadbeam Technologies Ltd – Contact us

Email – [info@quadbeam.com](mailto:info@quadbeam.com)

Call US – (303) 923 5273

Call international – +64 9 238 4609

Call NZ – 09 238 4609

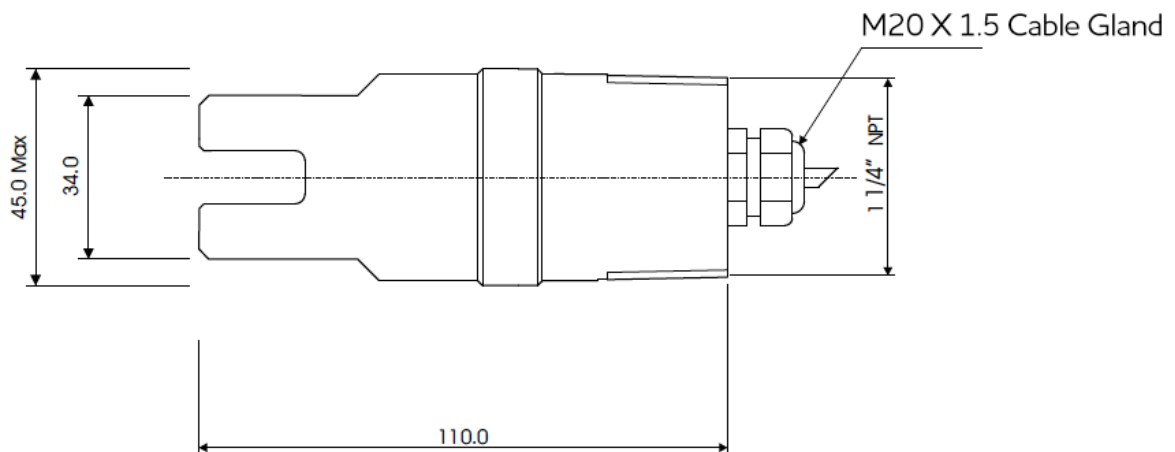
# S10-IMM Immersion Style

## Example concentration

0-25 g/L SiO<sub>2</sub>. Applications include return and waste-activated sludge measurement, clarifier monitoring.



## Dimensions



## Key features



### SELF-COMPENSATING

Multi-beam sensor, virtually eliminates drift due to contamination or electronic ageing.



### ONE-PIECE BODY

No lenses to leak, glass-free design.



### SIMPLE TO USE

Simple user interface



### RELIABLE

Accurate, repeatable & reliable.

## Example applications

**Immersion style sensors are designed for continuous on-line monitoring of suspended solids.**

Return and waste-activated sludge measurements, thickened and digested sludge to clarifiers, or centrifugal, gravity or filter.

**Normal activated sludge.**

**0 to 25g/L**

**Coal fines**

**0 to 4%**

(the measuring range will vary according to media and particle characteristics)

## Further specifications

### ACCURACY

+/- 2% of reading

### REPEATABILITY

+/- 1% of reading

### TEMPERATURE

0 to 85°C operating range

### PRESSURE

10 Bar

### CABLE

Polyurethane-covered cable rated to 95°C. Extension cables can be supplied to extend the cable up to 50m.

### TRANSMITTER

Quadbeam MXD75 or MXD73

### OPTIONAL EXTRAS

Cleaner - powered using air at 5 Bar.

## Model no. selection guide

### BASIC MODEL NO.:

**S10** - Measuring range 0 - 25 g/L.

### BODY STYLE

**IMM** - Immersion Style body

### WAVE LENGTH

**880** - 880nm Standard. Other wave lengths available

### BODY MATERIAL

**PP** - Polypropylene

### CABLE

**10** - Both immersion and hygienic sensors are supplied with a 10m cable as standard. Other lengths available

### CONNECTOR

**NC** - No Connector. Cores stripped and crimped for direct connection with the MXD Transmitters

**CA** - Amphenol Connector. For use with Hygienic sensors using extension cables.

Sample model no: **S10-IMM-880-PP-10-NC**

## Partner Distributore per l'Italia **BIO MASS IMPIANTI S.r.l.**

Tel. +39 02.4453223 Fax. +39 02.48402025  
Via M. Pagano, 28 - 20090 Trezzano s/N (MI)  
Email: [Info@BioMassImpianti.com](mailto:Info@BioMassImpianti.com)  
Internet: [www.BioMassImpianti.com](http://www.BioMassImpianti.com)

## Quadbeam Technologies Ltd – Contact us

Email – [info@quadbeam.com](mailto:info@quadbeam.com)

Call US – (303) 923 5273

Call international – +64 9 238 4609

Call NZ – 09 238 4609