



Touch Pro

High Performance Correlator

Touch Pro is an advanced leak noise correlator designed especially for the more difficult leak detection situations, including plastic or large diameter pipes

Incorporating a variety of simple to use functions and being intuitive to control, Touch Pro is an effective tool for quick, accurate leak detection.



Key Features and Benefits

- **Automatic Intelligent Filtering System:** obtains best result by automatically optimising filters
- **Accurate and efficient:** delivers cleaner and faster correlation results
- **Resistive colour touch screen:** clear multifunctional graphics for ease of use; can be used with gloves
- **High quality:** upgraded long range telemetry
- **Easy to use:** step by step menu system guides user through correlation process
- **User definable pipe types and velocity:** to ensure accuracy of results
- **Portable and durable:** robust materials and compact design
- **In case charging:** through mains and 12V vehicle supply
- **External antennas:** support improved signal strength (contact HWM for more information)

Applications

Advances in leak detection technology and significant developments in the leak noise processing path allows Touch Pro to deliver improved performance in traditionally difficult conditions.

The unique Automatic Intelligent Filtering System runs up to 55 different filter combinations on each correlation, checking the quality of the result and optimising the filters until the best result is obtained.

The Automatic Intelligent Filtering System works with both live and pre-recorded correlation data and makes manual filter settings a thing of the past by effectively building an 'expert user' into the unit.

MONITORING ASSETS, DELIVERING DATA, BRINGING CONTROL

www.hwmglobal.com

Touch Pro

High Performance Correlator

Control

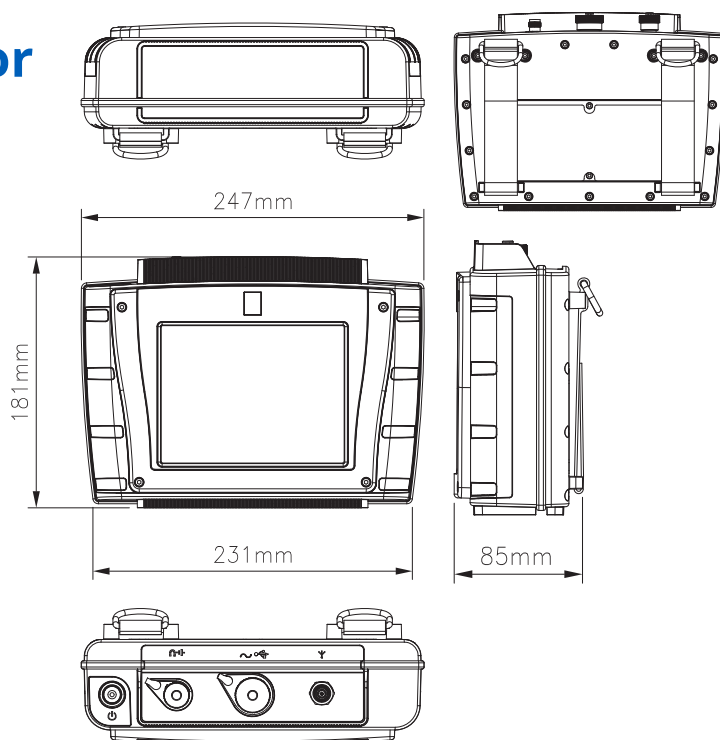
Filter Selection	Manual, FFT, Coherence and Tri Filter correlation. Pipe-data related default settings
Resolution	+ 0.1m
Display	7" Resistive VGA colour touch screen
Antennae	External antennae/magmount (optional)
Battery Type	Rechargeable lithium batteries, field replaceable
Battery Life	12 hours (rechargeable in case)
Language	Selectable via menu
PC Download	USB to PC, Windows compatible software
Dimensions	H = 90mm, W = 250mm, D = 180mm (3.5" x 9.8" x 7.1")
Weight	1.9Kg
Temperature Range	-20 to +50°C (4 to +120°F)
Environmental	IP65
Enclosure	PC/ABS plastic enclosure
Connectors	Military specifications

Sensor

Frequency response	d.c- 5000Hz
Environment	IP68, rubber shroud for shock protection
Connection	2m/3m/5m cables with strain relief military spec connector

Case

Digital	In case charging through mains 12V vehicle supply. Case indicates charging for all components
---------	---



Outstation

Optional 1 or 2 radio outstation systems

Radio Frequency	Local regulations apply
Connections	Headphones, external antenna, charging
Battery Type	Rechargeable lithium batteries, field replaceable
Battery Life	12 hours (rechargeable)
Antenna	External antenna (optional)
Dimensions	H = 200mm, W = 135mm, D = 50mm (7.9" x 5.3" x 2.0")
Weight	870g
Environment	IP65
Housing	PC/ABS plastic enclosure
Connectors	Military specification



All images, text and designs are protected by international and UK copyright law and remain the property of HWM. It is against the law to copy or use any of the content from HWM website or literature without the written consent of HWM. HWM Ltd. reserve the right to vary the specification.



HWM Water Limited

Ty Coch House
Llantarnam Park Way
Cwmbran
NP44 3AW
United Kingdom

Tel: +44 (0) 1633 489 479
Fax: +44 (0) 1633 877 857
Email: sales@hwm-water.com
Web: www.hwmglobal.com

MONITORING ASSETS, DELIVERING DATA, BRINGING CONTROL