



CLEAN WATER



LoLog 450

Data Logger

LoLog 450 is a highly flexible and cost effective data logger. Completely waterproof, submersible and battery powered it is designed for portable use and can be supplied in single or dual channel variants.

The analogue channel can be used for internal pressure and external pressure. We also offer a 4-20mA channel and our digital channel is available for flow and status data. The dual option combines one analogue and one digital channel, or two analogue channels.

LoLog 450 incorporates a high level of features including Pulse Interval Timing to establish accurate recording of minimum flow and it can store up to 64,000 readings which may be increased when purchased with extended memory to 1,000,000 readings (depending on the variability of the data.)

Key Features and Benefits

- **Long term monitoring:** 5 year battery life in typical use.
- **Superior system connectivity:** Second channel enables connection to other devices.
- **Expandable memory:** Up to one million data values on single channel variant if purchased with optional memory upgrade.
- **Durable:** The LoLog comes in a rugged plastic case
- **Pressure sensors:** Internal or external pressure sensor, 4-20mA.
- **Local data download:** Via Infra-red interface into Laptop, PC or PDA.
- **Software compatibility:** Fully compatible with Radwin
- **Multiple logging modes:** Cyclic logging, Stop when Full, Start and Stop and Event Logging.
- **Excellent serviceability:** The unit can be opened and directly accessed.
- **Low maintenance:** The high IP68 rating has been achieved without potting, making the unit easy to maintain.
- **Fully Waterproof:** The IP68 rating has been tested at 10 m depth over a 24 hour period.



Applications

The LoLog is available with 0.1% FSC accuracy for network modelling applications. It can be quickly attached to any pulse output meter to enable urgent investigation. The small, light logger fits easily into boundary boxes and is widely used to assess demand in residential areas.

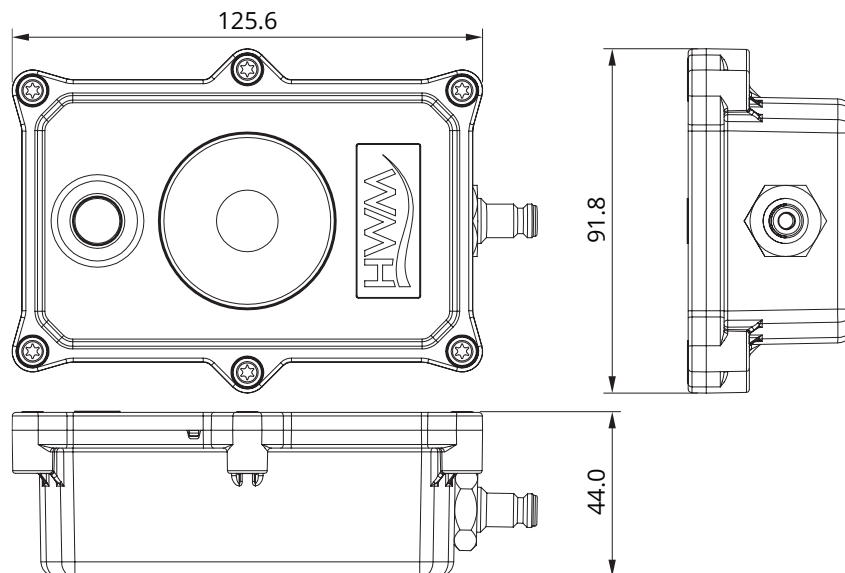
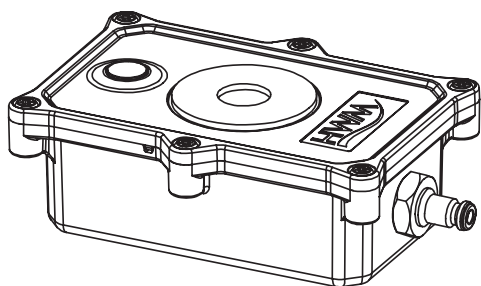
The LoLog is highly economical and well suited to connection to networks where telemetry is not desirable or appropriate. The pressure channel variant on the LoLog also monitors PRV performance.

MONITORING ASSETS, DELIVERING DATA, BRINGING CONTROL

www.hwmglobal.com

LoLog 450

Data Logger



Sensor Input options

Digital	Uni- or Bi-directional pulse/status
	Reed switch contact closure type or equivalent sensors including Kent LRP & PU10 pulse heads, Aquamag/ Magmaster
	Up to 64 pulses per second
Analogue	Internal or External Pressure Transducer
	Typical accuracy 0.2% FSD supplied as standard but 0.1% FSD accuracy available if specified at time of order.
	4-20mA from isolated sensor. Please note only one analogue channel can be 4-20mA
Memory	Recording 64,000 readings in continuous (cyclic) operation. Unit can be purchased with optional extended memory to 1,000,000 data values depending on variability of data. Please note that the correct configuration must be ordered at the time of purchase as changes cannot be made after manufacture.

Logger Features

Frequency	Sample Periods In 1 second increments from 1 to 60 seconds. Then 1 minute increments from 1 to 60 minutes. Then 1 hour increments from 1 to 24 hours
Logger ID	Up to 7 alphanumeric characters
Site ID	Up to 127 alphanumeric characters.
Clock	On board 24 hour real time clock with date facility.
Logging Modes	Count and Event (PIT) logging modes Bi-directional capability
Dimensions	91.8H x 125.6W x 44D mm (3.56"H x 4.9"W x 1.7"D).
Construction	Rugged plastic enclosure.
Weight	210g (0.5 lb). (Can vary by option)
Operating Temp	-20 to +60°C (-5 to +140°F)
Ingress protection	IP68 submersible
Power	Lithium battery operational for 5 years under typical operating conditions.

Communication

Serial	RS232 by Infra-red port for connection to a PDA hand held computer, laptop, or desktop PC 9,600 Baud.
--------	---



All Images, text and designs are protected by international and UK copy write law, and remain the property of HWM. It is against the law to copy or use any of the content from HWM website or literature without the written consent of HWM. HWM Ltd. reserve the right to vary the specification. **Issue 1. 01:2017**

HWM Water Limited

Ty Coch House
Llantarnam Park Way
Cwmbran
NP44 3AW
United Kingdom

Tel: +44 (0) 1633 489 479
Fax: +44 (0) 1633 877 857
Email: sales@hwm-water.com
Web: www.hwmglobal.com

MONITORING ASSETS, DELIVERING DATA, BRINGING CONTROL

www.hwmglobal.com